





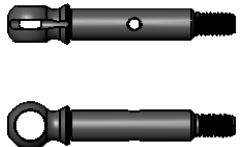
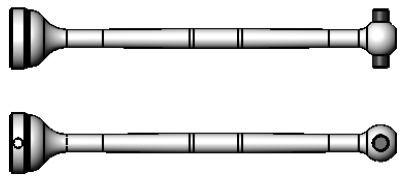




www.MIPonline.com

# MIP Mini-T 2.0 CVD™ Assembly Guide

 <p>1.2mm Cross Pin (x2) #20065</p>	 <p>M3 x 2mm Set Screw (x2) #20065</p>	 <p>Coupling (x2) #20065</p>	 <p>M3 Locknut (x2) #20065</p>	 <p>1.5mm Cross Pin (x2) #20065</p>	 <p>Crush Spacer (x2) #20-026</p>
--	---	---	---	--	--

 <p>CVD Axle, (x2) #20060</p>	 <p>Shiny CVD Bone, (x2) #20060</p>
--	--



Apply MIP Thread Lock



**WARNING!!!**  
Chemicals in tubes may cause eye/skin irritation and can be harmful if swallowed. If it comes in contact with skin, wash with plenty of soap and water. If in eyes; Rinse with water for fifteen minutes. If irritation persists get medical advice.

For more information & SDS please visit:  
[www.miponline.com/store/sds.html](http://www.miponline.com/store/sds.html)



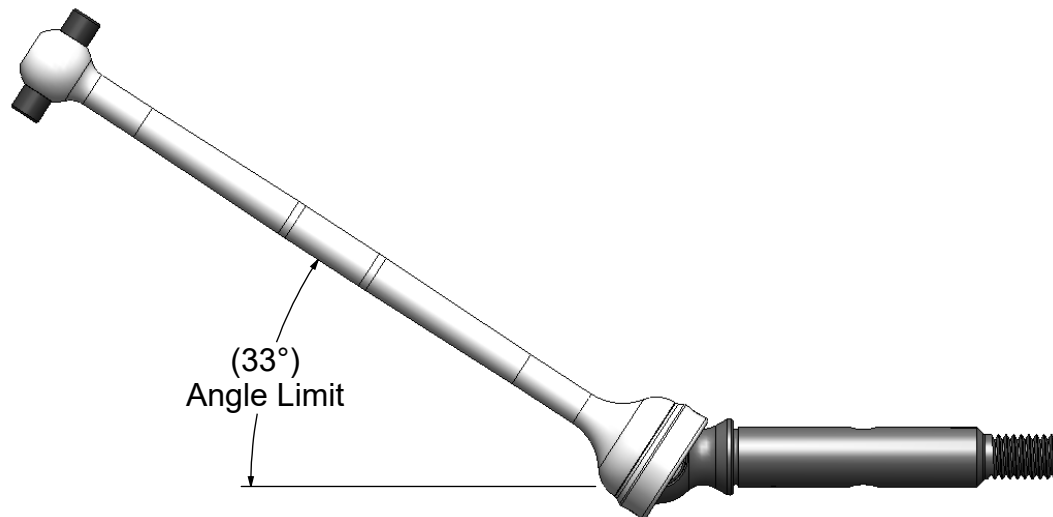
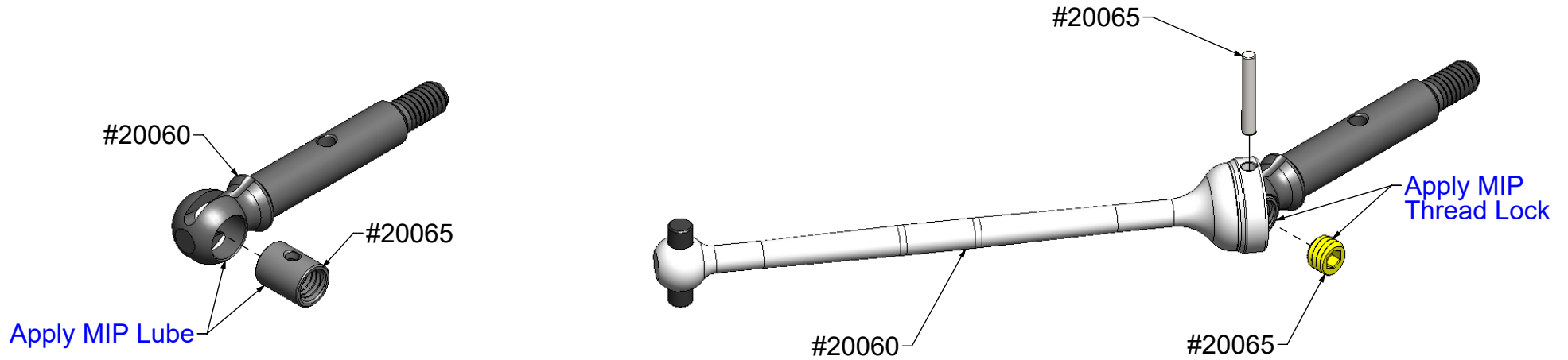
Apply MIP Lube

© 2020  
Moore's Ideal Products, LLC  
830 W. Golden Grove Way  
Covina, CA 91722



www.MIPonline.com

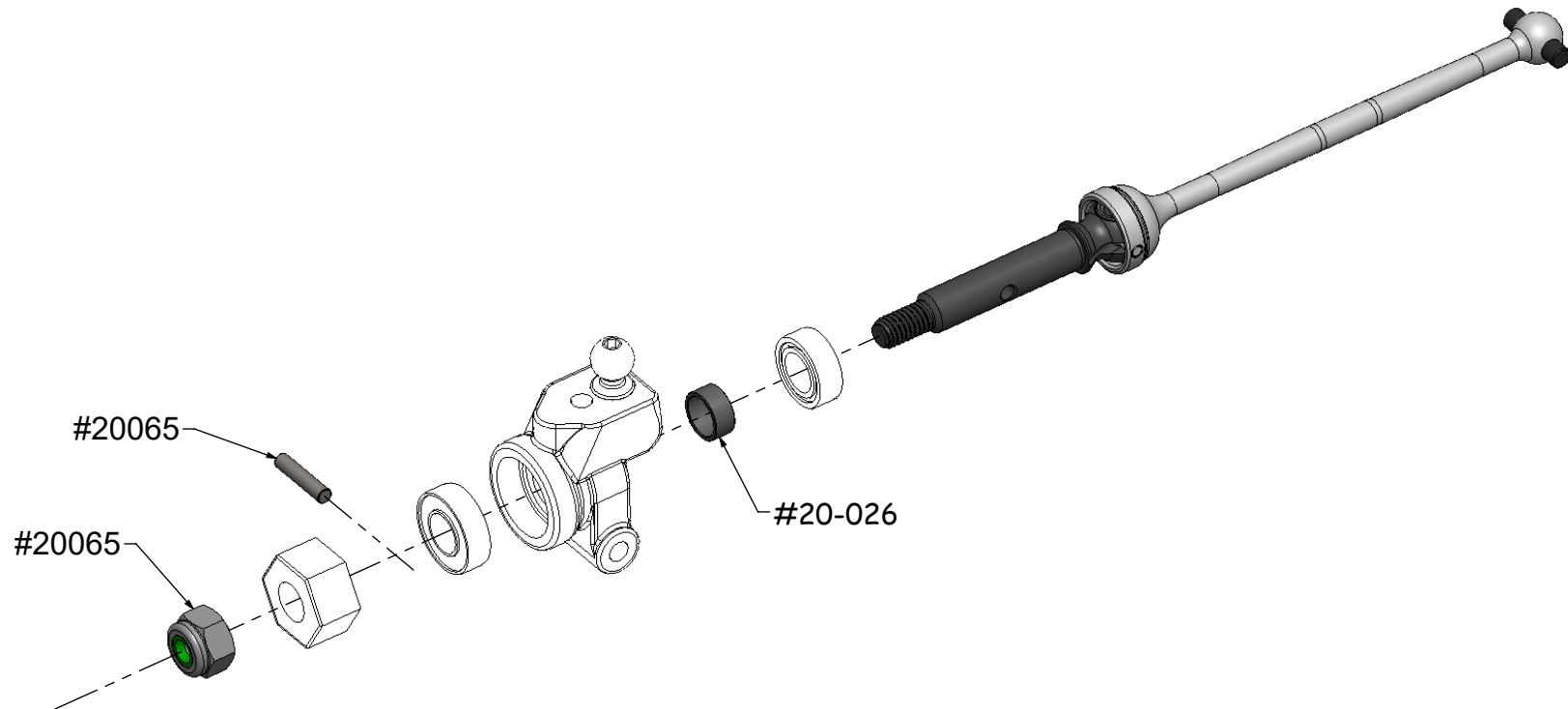
# MIP Mini-T 2.0 CVD™ Assembly Guide





www.MIPonline.com

# MIP Mini-T 2.0 CVD™ Assembly Guide



**\*NOTE\*** - Please be sure to rebuild your MIP Mini-T CVD Kit with genuine MIP Product #20065

Look for these other Mini-T 2.0 Products from MIP!

**#20070 MIP Race TopShaft & Idler Gear Set, Losi Mini-T 2.0**

**#20080 MIP Slipper Clutch Kit, Losi Mini-T 2.0**

**#5205 MIP Car Stand, Yellow/Black, Losi Mini-T 2.0**

**#9518 MIP Mini-T 2.0 Wrench Set, Metric (3), 4.0mm, 5.5mm Nut Driver & 1.5mm Hex**

© 2020  
Moore's Ideal Products, LLC  
830 W. Golden Grove Way  
Covina, CA 91722